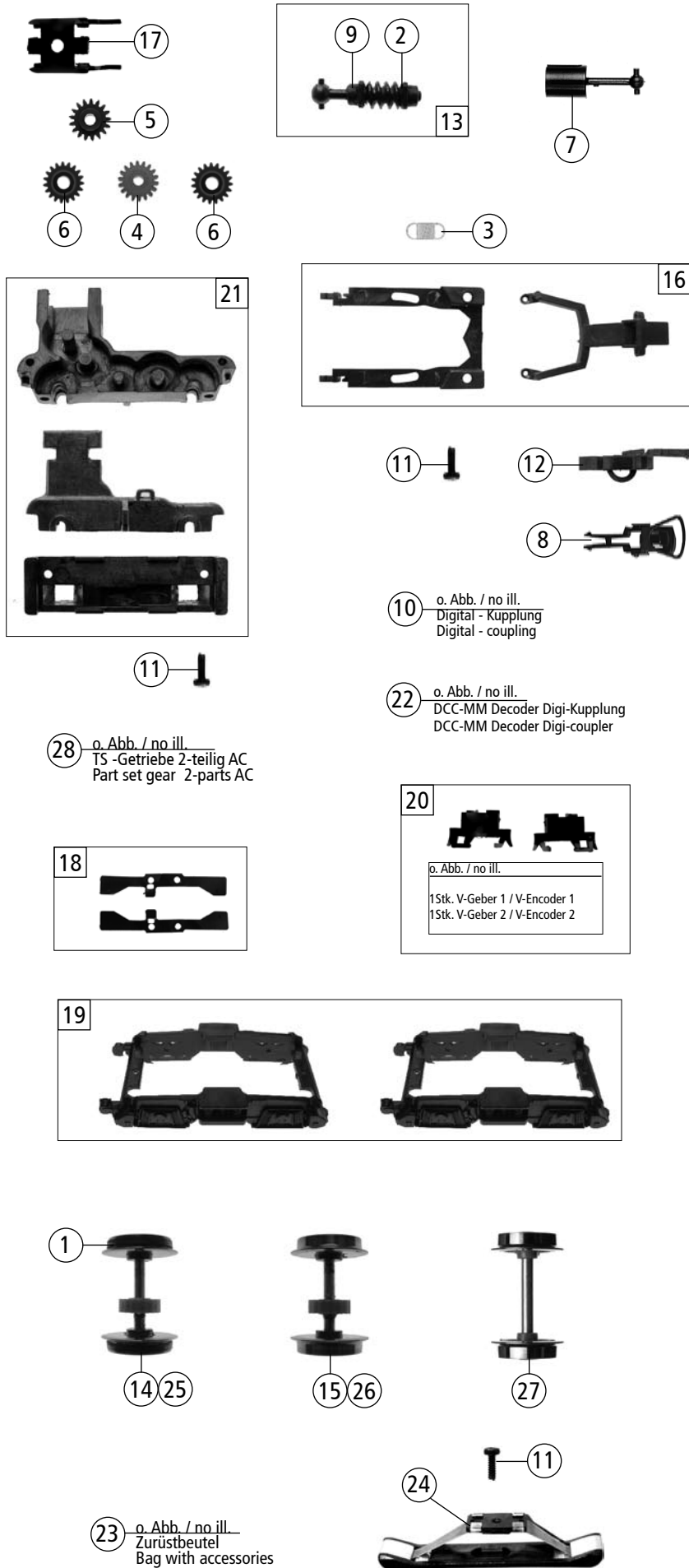


| 62910 | NS | 204 | | |
|--------------------------|---|-----|---------------------|------------------------------|
| 68910 | | | ~ | |
| 62911 | | | | ↑ |
| 68911 | NS | 204 | ~ | ↑ |
| Pos. Nr. Pos.no. | Beschreibung Description | | Art.-Nr. Art.no. | Preisgruppe Price bracket |
| 1 | Kardanschale kurz Cardan bearing short | | 87129 | 3 |
| 2 | Motor Motor | | 113092 | 57 |
| 3 | GF - Schraube M1,6x4 GF - Screw M1,6x4 | | 114850 | 2 |
| 4 | Motorplatine kpl. Printed circuit for motor | | 122483 | 53 |
| 5 | Führerstand Driver cab | | 123455 | 6 |
| 6 | Motordistanzplatte Motor distance plate | | 123465 | 4 |
| 7 | Seitenfenster Side window | | 123484 | 7 |
| 8 | Stirnfenster Front window | | 123485 | 5 |
| 9 | Vordach Roof part | | 123487 | 7 |
| 10 | Vorbaudeckel vorne 1 Secound body roof 1 | | 123488 | 6 |
| 11 | Vorbaudeckel hinten 2 Secound body roof 2 | | 123489 | 6 |
| 12 | TS - Gehäuse Part set body | | 123490 | 4 |
| 13 | Scheibenwischersatz Windscreen wiper set | | 123491 | 4 |
| 14 | Puffer gewölbt eckig Buffer vaulted angular | | 123497 | 2 |
| 15 | Puffer flach eckig Buffer flat angular | | 123498 | 2 |
| 16 | Brückenstecker Strapping plug | | 125666 | 12 |
| 17 | Lichtnagelsatz Lens set | | 126253 | 7 |
| 18 | Kabine kpl. Betr.Nr. 204 616-7 Drivers cab ass. loco no. 204 616-7 | | 128023 | 42 |
| 19 | Gehäuse kpl. Betr.Nr. 204 616-7 Body ass. loco no. 204 616-7 | | 128024 | 48 |
| 20 | Griffstange für Kabine Handrail for drivers cab | | 128033 | 4 |
| 21 | Griffstangensatz für Vorbau Handrail set for secound body | | 128035 | 12 |
| 22 | Grundrahmen Base frame | | 128036 | 38 |
| 23 | Kühlschlange Cooling coil | | 128037 | 3 |
| 24 | Geländersatz Guard rail | | 128042 | 10 |
| 25 | Signalhorn Horn | | 128045 | 2 |
| AC - Wechselstrom | | | | |
| 26 | Decoder Motorola Decoder Motorola | | 10732 | --- |

Änderungen in Konstruktion und Ausführung vorbehalten
We reserve the right to change the construction and specification



| Pos. Nr. Pos.no. | Beschreibung Description | Art.-Nr. Art.no. | Preisgruppe Price bracket |
|--------------------------|--|---------------------|------------------------------|
| 62910 | NS 204 | | |
| 68910 | | ~ | |
| 62911 | NS 204 | | ↑ |
| 68911 | | ~ | ↑ |
| 1 | Haftringsatz 10Stk. 10,3-12,8 Set with traction tires 10pieces | 40069 | --- |
| 2 | Scheibe 2.1 x 4 / 0.2 mm Washer 2.1 x 4 / 0.2 mm | 86108 | 2 |
| 3 | Zugfeder Pull-spring | 86208 | 2 |
| 4 | Zahnrad Z=18/0,4G Gear Z=18/0,4G | 86460 | 2 |
| 5 | Schnecken Zahnrad Worm gear | 86490 | 4 |
| 6 | Zahnrad Z=19/0,4G Gear Z=19/0,4G | 86493 | 2 |
| 7 | Kardanwelle Cardan shaft | 87214 | 3 |
| 8 | Standardkupplung Standard coupling | 89246 | 5 |
| 9 | Lager für Schneckenachse Bearing for worm axle | 89749 | 6 |
| 10 | Digital - Kupplung f. 62911/68911 Digital - coupling f. 62911/68911 | 114665 | 37 |
| 11 | GF - Schraube M1,6x4 GF - Screw M1,6x4 | 114850 | 2 |
| 12 | Kurzkupplung - Vorentkupplung Close coupler ... | 115550 | 5 |
| 13 | Schneckensatz kpl. Worm gear ass. | 122482 | 24 |
| 14 | Radsatz m. Haftring m. Zahnrad Wheelset w. traction tyre w. gear | 122484 | 20 |
| 15 | Radsatz m. Zahnrad o. Haftring Wheelset w. gear without traction tyre | 122485 | 18 |
| 16 | TS - Deichsel Part set drawbar | 123468 | 10 |
| 17 | Schneckendeckel Worm cover | 123471 | 3 |
| 18 | Radkontaktsatz Wheel contact set | 123475 | 5 |
| 19 | TS - Blende Part set bogie | 123499 | 18 |
| 20 | TS - Blendensteckteile Part set bogie | 123500 | 6 |
| 21 | TS -Getriebe 3-teilig Part set gear 3-parts | 123501 | 24 |
| 22 | DCC-MM Dec.Entkuppl. 55mm f. 62911/68911 DCC-MM Decoder Digi-coupler f. 62911/68911 | 127218 | 80 |
| 23 | Zurüstbeutel o. Abb. Bag with accessories no ill. | 128043 | 18 |
| AC - Wechselstrom | | | |
| 24 | Schleifer 46mm Slider 46mm | 86031 | --- |
| 25 | Radsatz m. Haftring m. Zahnrad Wheelset w. traction tyre w. gear | 122486 | 20 |
| 26 | Radsatz m. Zahnrad o. Haftring Wheelset w. gear without traction tyre | 122487 | 18 |
| 27 | Radsatz o. Zahnrad o. Haftring Wheelset without gear without traction tyre | 122488 | 16 |
| 28 | TS -Getriebe 2-teilig AC Part set gear 2-parts AC | 123504 | 20 |

Ersatzteile erhalten Sie bei Ihrem Fachhändler, oder Ihrer Landesvertretung:
You can order your Replacement Parts at your local dealer, your country representative: